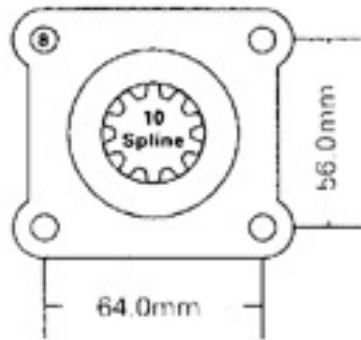
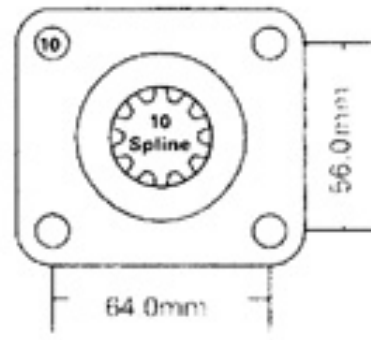


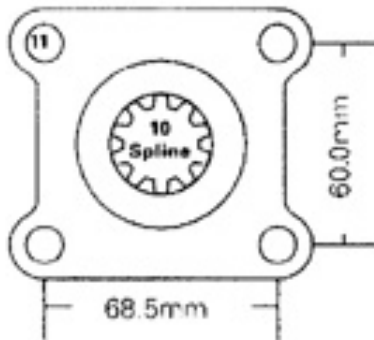
1963 to 8/1969



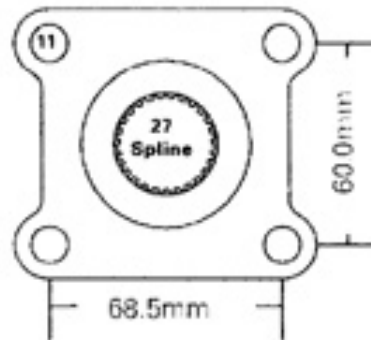
8/1969 to 1/1974



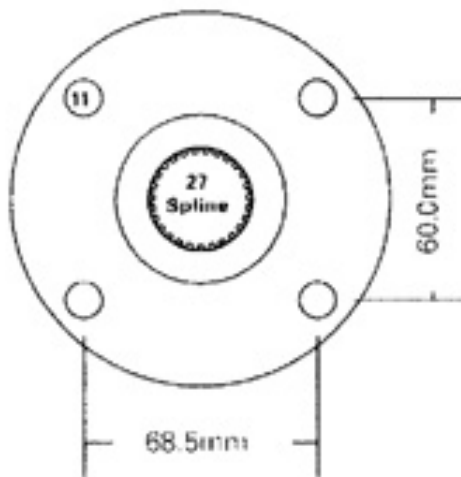
1/1974 to 7/1978



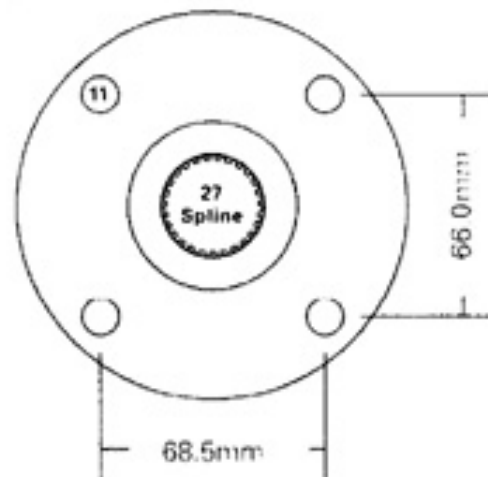
7/1978 to 8/1984



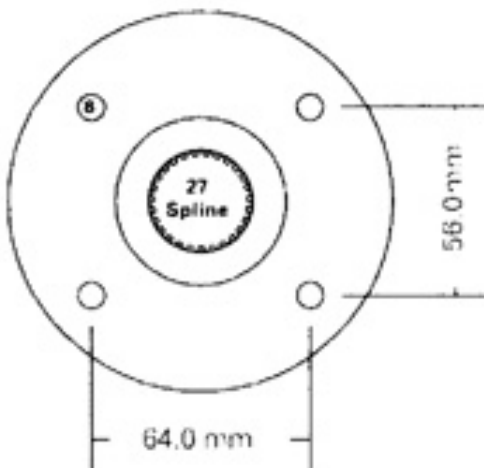
Some 83 front T/C (will fit pinion)



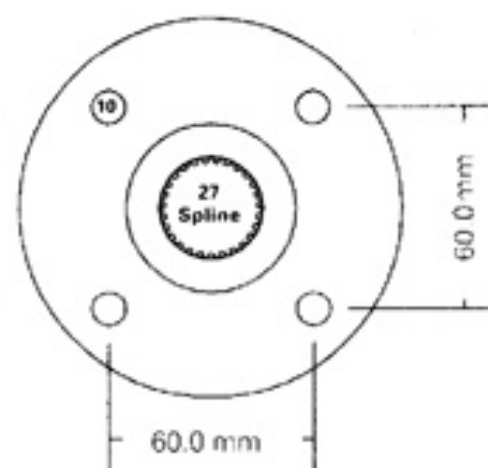
8/1989 -



8/1978 to 7/1983 Pickup



1/1991 LC Front 8/1983 - Pickup



**Toyota 4x4 pinion flanges through the ages.  
The number in the top-left bolt hole of each flange  
represents the bolt diameter used.**